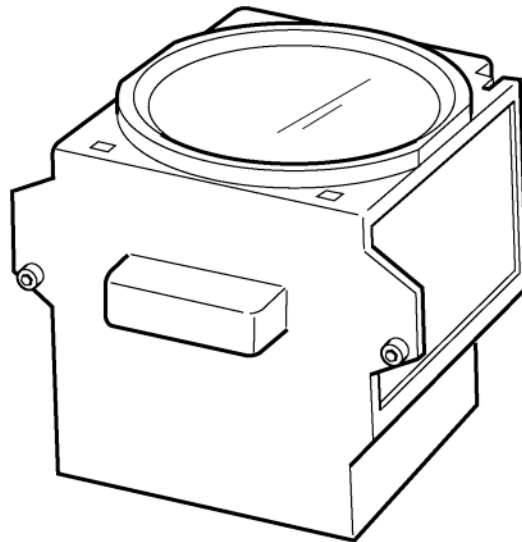


JVC

SERVICE MANUAL

LAMP UNIT

PK-CL200U

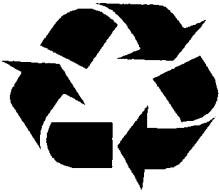


This product is a lamp unit for the ILA projection television (AV-61S902). Please replace it according to the lamp replacement instructions when you replace the lamp unit.
Moreover, please collect used lamp unit after replace it and send it according to the method of the LAMP RECYCLING PROCEDURES.

CONTENTS

■ LAMP RECYCLING PROCEDURES	2
■ PARTS LIST	3
■ LAMP REPLACEMENT MANUAL (APPENDED)	

LAMP RECYCLING PROCEDURES

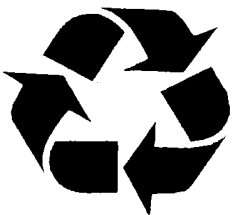


JVC

LAMP RECYCLING PROCEDURES

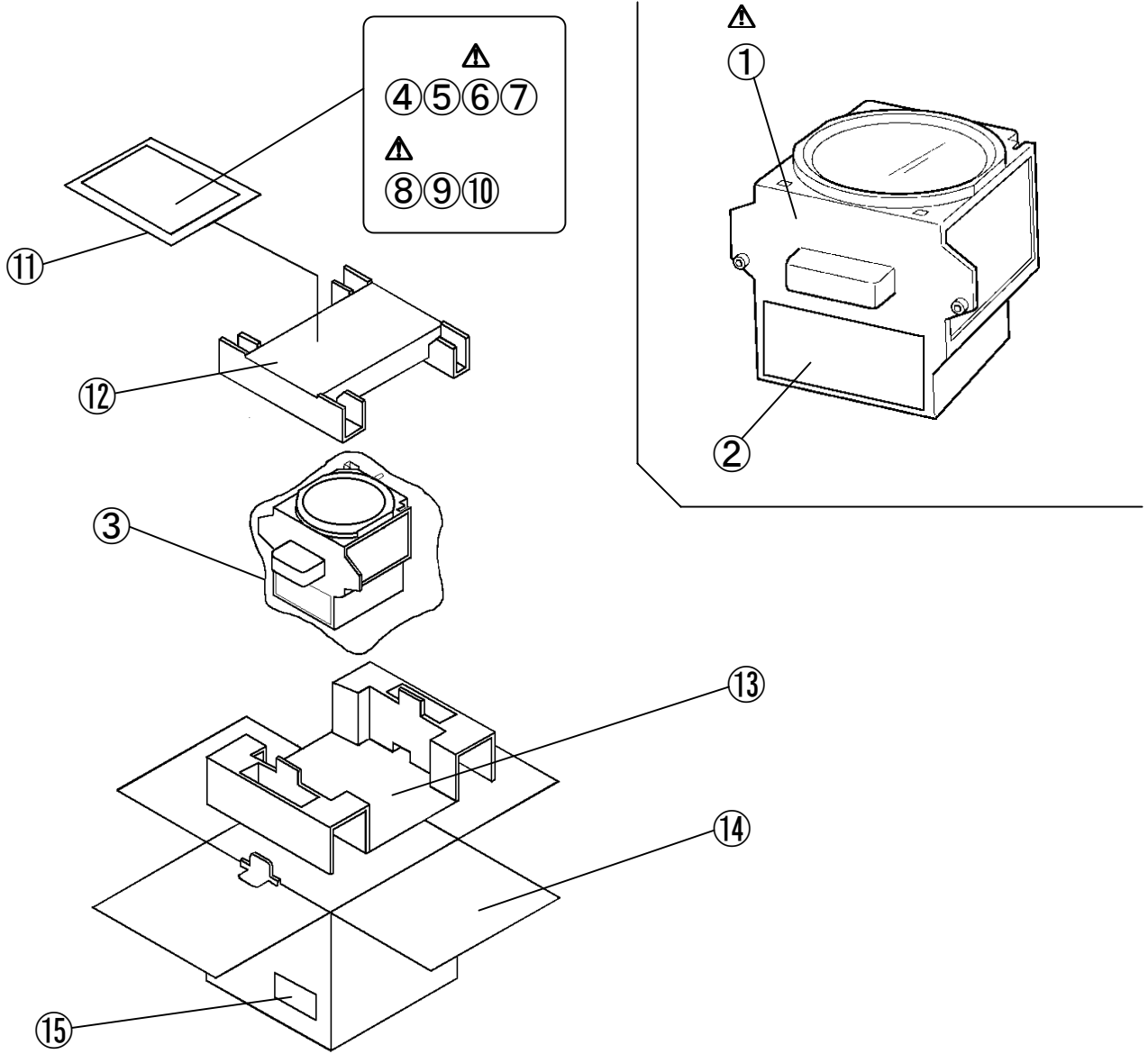
JVC is an environmentally conscious company and has developed the necessary program to dispose of Mercury vapor lamp assemblies in an environmentally safe manner. The lamp assembly in this product contains a small amount of Mercury and should be handled in accordance with the following procedures:

- ◆ After receiving the JVC Replacement Lamp Kit, **save all the packing material including the box and the plastic bag.**
- ◆ To return the lamp for recycling:
 1. Wrap the used lamp carefully in the plastic bag.
 2. Place the used lamp in the carton that was supplied with the replacement lamp.
 3. Seal the carton with tape.
 4. Remove the old address label.
 5. Place the prepaid self-adhesive return shipping label on the outside upper right hand corner of the carton.
 6. Write your return address on the upper left hand corner of the box.
- ◆ The carton, with the U.S. Postal Service Prepaid label attached, can then be given to any mail carrier or dropped off at any Post Office for shipment to the Authorized JVC Recycling Center.
- ◆ For more information on the lamp replacement, disposal or recycling procedures, please contact the JVC Customer Relations Department at 1-800-252-5722.



The lamp assembly in this product contains mercury. Disposal of the lamp assembly may be regulated due to environmental considerations. For information on replacement, disposal or recycling procedures, please contact JVC Customer Relations at 1-800-252-5722.

PARTS LIST



△ Ref. No.	Part No.	Part Name	Description
△ 1	D50LA1-LAMP	LAMP ASSY	LAMP ASSY
2	LC31265-002A-OL	LAMP LABEL	LAMP LABEL
3	QPA03503505P	POLY BAG	POLY BAG
4	LC31463-001A	REPLY LABEL	REPLY LABEL
5	LC20768-001A	RECYCLE MANUAL	RECYCLE MANUAL
△ 6	LCT0811-001A	INST BOOK	INST BOOK
7	LC40662-001A	HEX KEY WRENCH	HEX KEY WRENCH
△ 8	BT-51020-1Q	REGISTRATION CARD	REGISTRATION CARD
9	BT-52004-1	WARRANTY CARD	WARRANTY CARD
10	BT-20071B	SVC CENTER LIST	SVC CENTER LIST
11	QPA02503505P	POLY BAG	POLY BAG
12	LC20865-001A	TOP CUSHION	TOP CUSHION
13	LC20517-001B	CUSHION	CUSHION
14	LC20516-003B	PACKING CASE	PACKING CASE
15	LC30470-005A-OL	POS LABEL	POS LABEL

JVC SERVICE & ENGINEERING COMPANY OF AMERICA

DIVISION OF JVC AMERICAS CORP.

Head office :	1700 Valley Road, Wayne, New Jersey 07470	(973)315-5000
East Coast :	10 New Maple Avenue, Pine Brook, New Jersey 07058	(973)396-1000
Midwest :	705 Enterprise St. Aurora, Illinois 60504	(630)851-7855
West Coast :	5665 Corporate Avenue, Cypress, California 90630	(714)229-8011
Southwest :	10700 Hammerly, Suite 105, Houston, Texas 77043	(713)935-9331
Hawaii :	2969 Mapunapuna Place, Honolulu, Hawaii 96819	(808)833-5828
Southeast :	1500 Lakes Parkway, Lawrenceville, Georgia 30243	(770)339-2582

JVC CANADA INC.

Head office :	21 Finchdene Square Scarborough, Ontario M1X 1A7	(416)293-1311
Vancouver :	13040 Worster Court Richmond B.C. V6V 2B3	(604)270-1311

JVC[®]